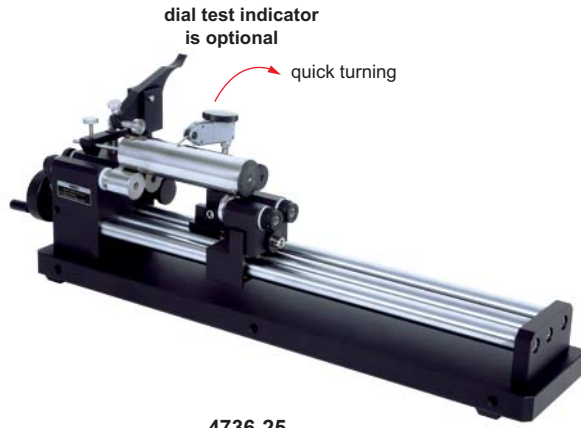
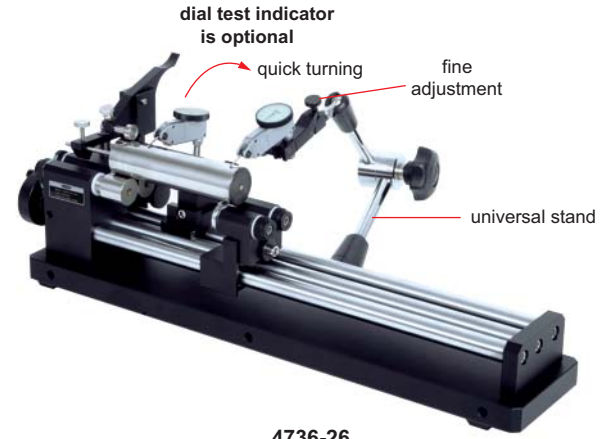


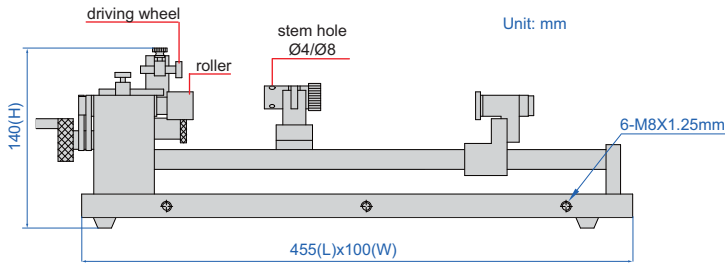
# CONCENTRICITY GAUGES



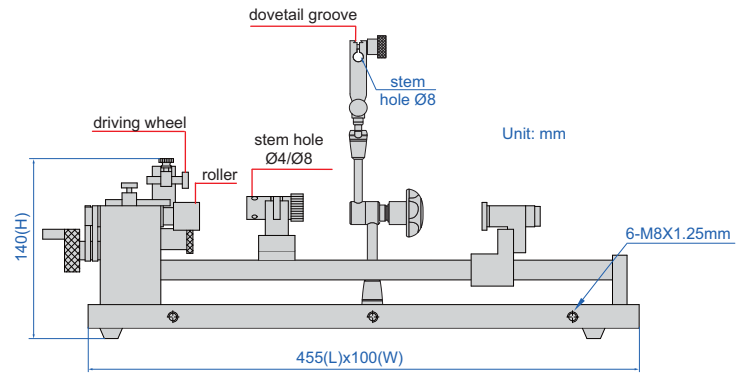
4736-25



4736-26



4736-25



4736-26

standard rod (included)



- Quick positioning, suitable for mass measurement
- Supplied with standard rod to verify accuracy
- Optional accessory: dial test indicators

Code	Diameter range	Workpiece length	Accuracy	L×W×H	Weight	Remark
4736-25	$\varnothing 3$ -25mm	15-305mm	2 $\mu$ m	455×100×140mm	6kg	without universal stand
4736-26	$\varnothing 3$ -25mm	15-305mm	2 $\mu$ m	455×100×140mm	6.5kg	with universal stand